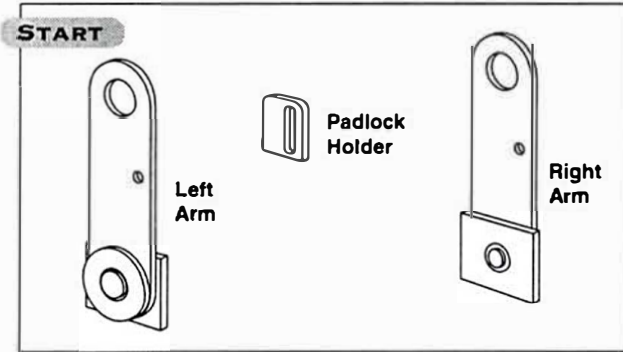
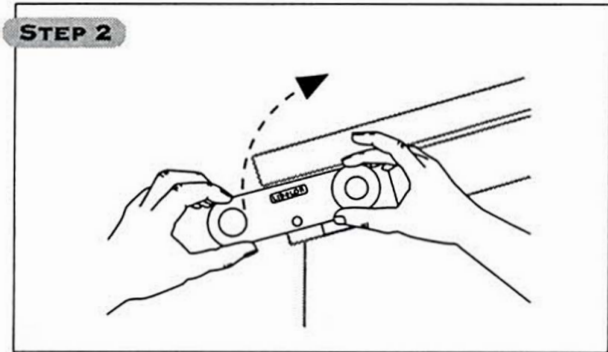




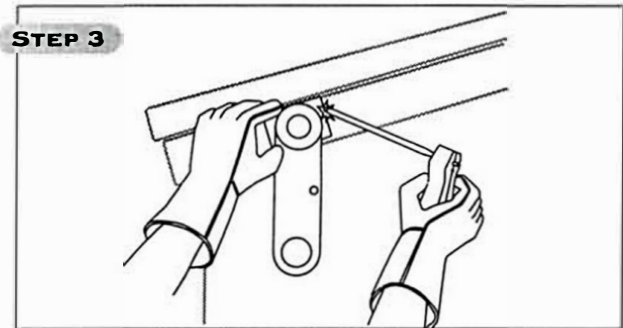
## INSTALLATION INSTRUCTIONS



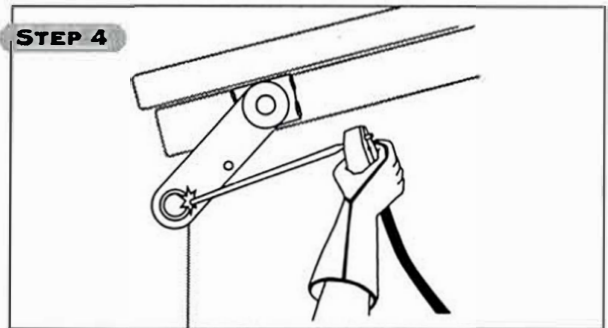
Shown above are the Bar-Lok parts. Be sure to note there is a right and left arm as shown, with the padlock hole towards the front. To complete the installation you will need a 1" O.D. steel pipe or similar material. Pipe can be ordered separately from HPI.



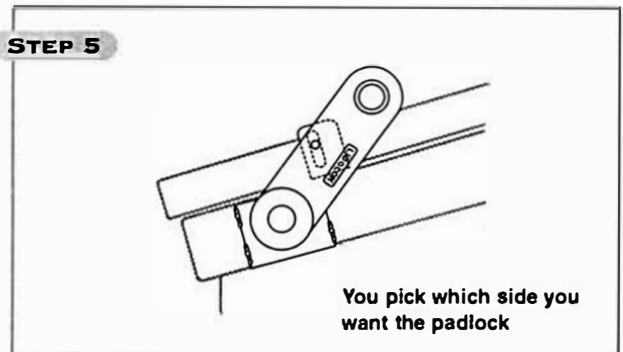
While holding the back plate level with the top of the container, make sure the pipe will clear the lids when tacked as shown above.



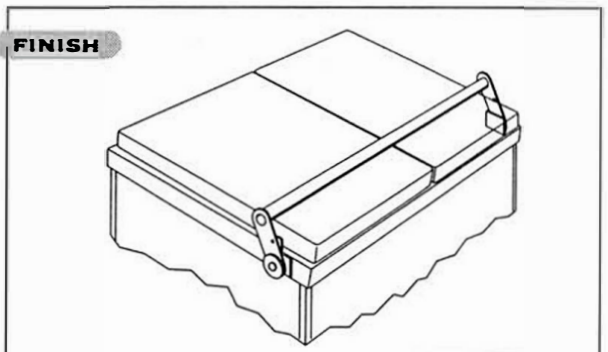
Tack the right arm back plate to the edge of the container as shown above. Tack the other plate in the exact position on the left side of the container.



Using the front of the container as your level, cut the 1" O.D. pipe the exact length you need and tack the pipe to the arms as shown above.



Lift the bar so it rests on the lids. Tack the padlock holder on the top of the container where the two holes match up as shown above.



Above is a view of the finished installation. When happy with your installation, weld all parts firmly into place.

Manufactured and Distributed by:



**HPI** (LID-LOK)  
**Hodge Products, Inc.**  
**1-800-854-3565**